



QUARTER PALLET TRUCKS

LQHM200, LQHM300, DLQ200



LogiQ 200

LogiQ 300

DLQ200 (double quarter pallet lifter)



Elegant solution for quarter pallet transportation

Quarter pallet lifters are indispensable equipment for customers, who handle quarter pallets in e.g. supermarkets, storage and packaging areas, and gas stations.

The pallet lifters are small, compact and very easy to operate. The handles have ergonomically correct gripping

angles, which ensures the operator a relaxed hold. The wheels ensure a comfortable and noiseless transport - and are gentle to the fine floor and flagstone layer in the customer areas.

Quarter pallet lifters are oftentimes used to move around display pallets in crowded and

confined areas (LogiQ 200), and to grab quarter pallets from EUR pallets in storage areas (LogiQ 300).

If you need to take two quarter pallets at the same time - or to reach the last pallet at the far end of a EUR pallet, the DLQ 200 is your preferred helper.

Ergonomically correct handle

CE marking

Hydraulic pump with quick lift



Foot protection



Vulkollan wheels ensure a comfortable and noiseless transport



Parking brake

LogiQ 200



The LogiQ 200 is the ideal solution if you need to move around quarter pallets in customer areas, such as supermarkets, grocery stores, gas stations etc.

The small, manual pallet lifter is easy to operate in crowded and compact areas. The noiseless wheels and compact design allow you to move around in customer areas without disturbing or bumping into the surroundings.

The handle has an ergonomic design for the operator and it only takes one stroke to lift the pallets from the floor. In addition, it has foot protection on the steering wheels.

The capacity is 200 kg.

LogiQ 300



The LogiQ 300 is suitable for storage and packaging areas, and other situations, where you need to take a quarter pallet from a EUR pallet and move it to a desired location.

This manual quarter pallet lifter has a hydraulic pump, which minimises the number of pumping strokes needed to lift the pallet. This protects the operator from unnecessary physical strain. It only takes half a pump stroke to lift a pallet from the floor, and 5 strokes to lift to the top.

In addition, it is equipped with a parking brake and foot protection on the steering wheels.

The capacity is 300 kg.

DLQ 200



The double quarter pallet lifter makes it easy to handle two quarter pallets at the same time.

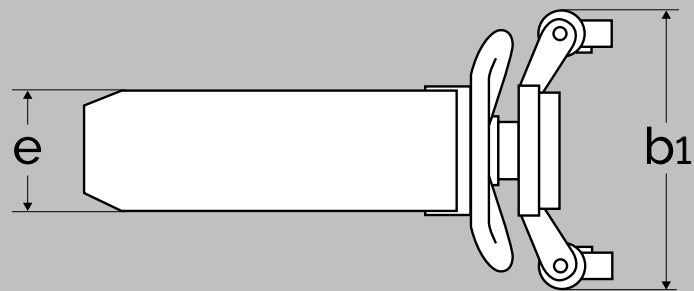
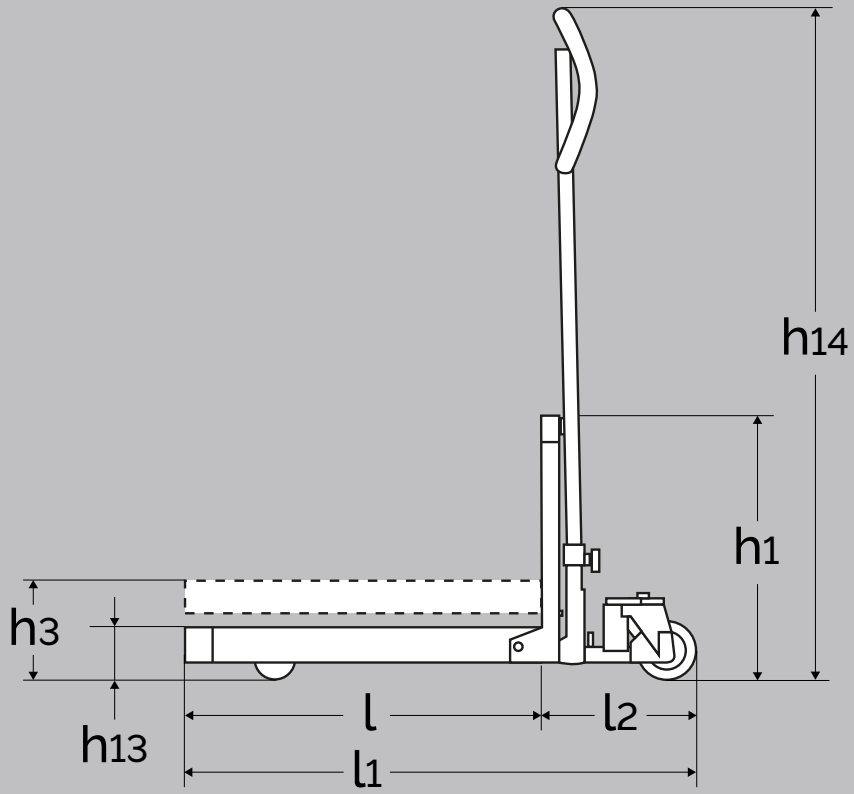
It is a manual pallet lifter with a hydraulic pump, to ensure minimum physical effort. It is built on the same construction as the LogiQ 300, but it has two unique features:

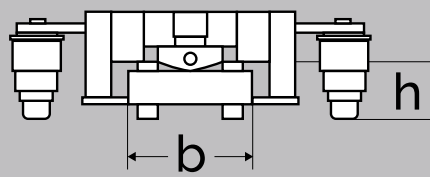
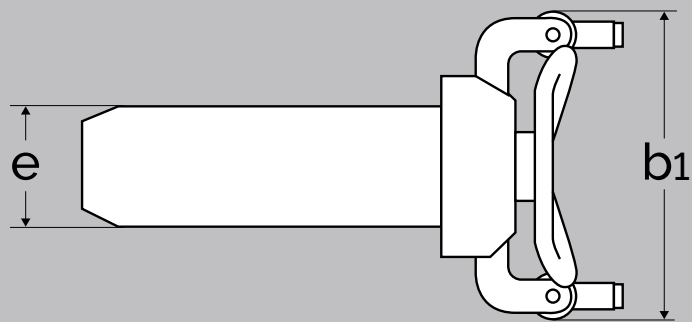
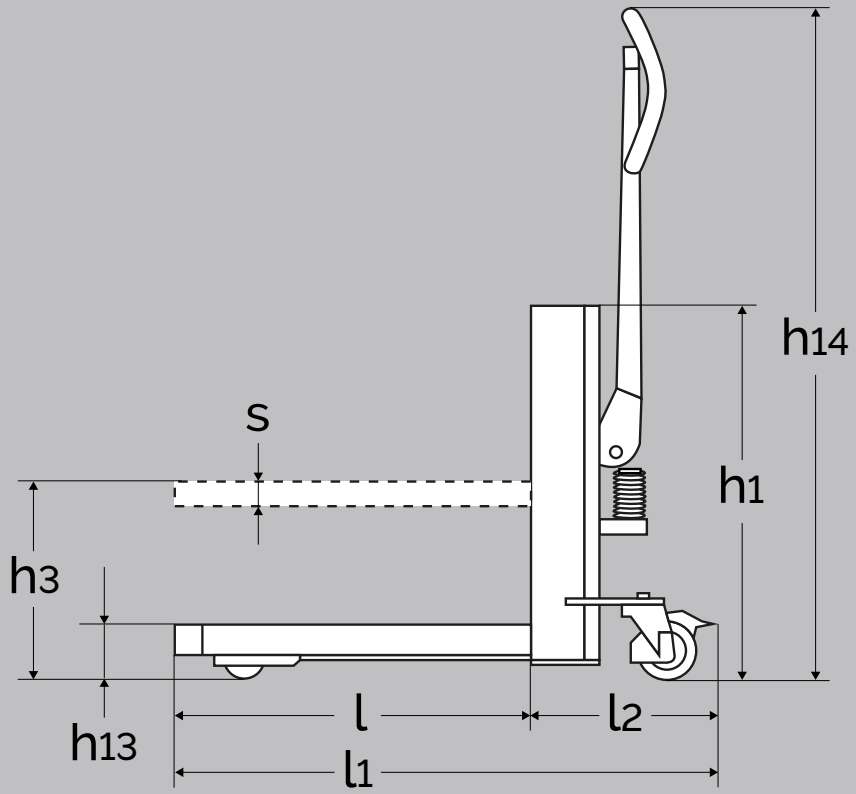
- First of all, it makes it easy for you to handle two quarter pallets at the same time.

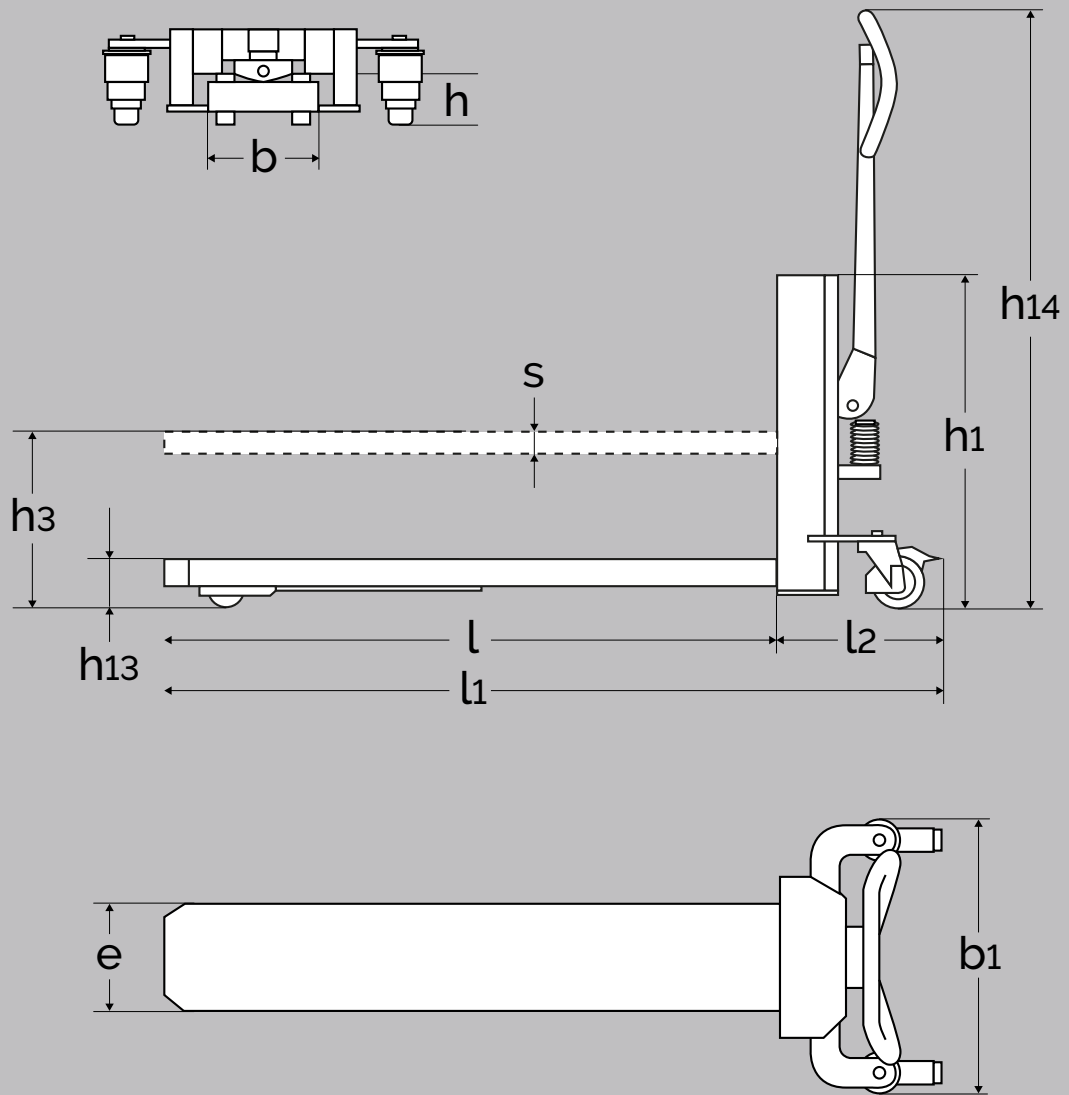
- Secondly, it can solve your issue with reaching the second quarter pallet at the far end of the EUR pallet. The situation where you normally need to move the EUR pallet and pick the quarter pallet from the other side.

The capacity of the DLQ is 200 kg.

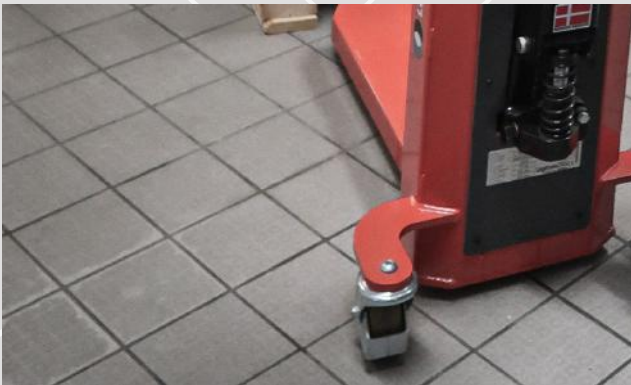








PRODUCT (measured in mm)		LQHM 200	LQHM 300	DLQ 200
Capacity in kg		200	300	200
Lifting height	h_3	115	325	325
Fork length	l	600	600	1200
Chassis height without fork	h		82	82
Overall height	h_1	470	625	625
Chassis span	b		182	182
Overall width	b_1	455	505	505
Length without forks	l_2	260	300	300
Overall length	l_1	860	900	1500
Lowered height	h_{13}	85	85	85
Fork width	e	205	200	200
Fork thickness	s		45	45
Overall height with handle	h_{14}	1040	1170	1170
Weight		22 kg	47 kg	



Ergonomic Lifting Performance

Logitrans A/S

+45 76 88 16 00

info@logitrans.com

www.logitrans.com

