
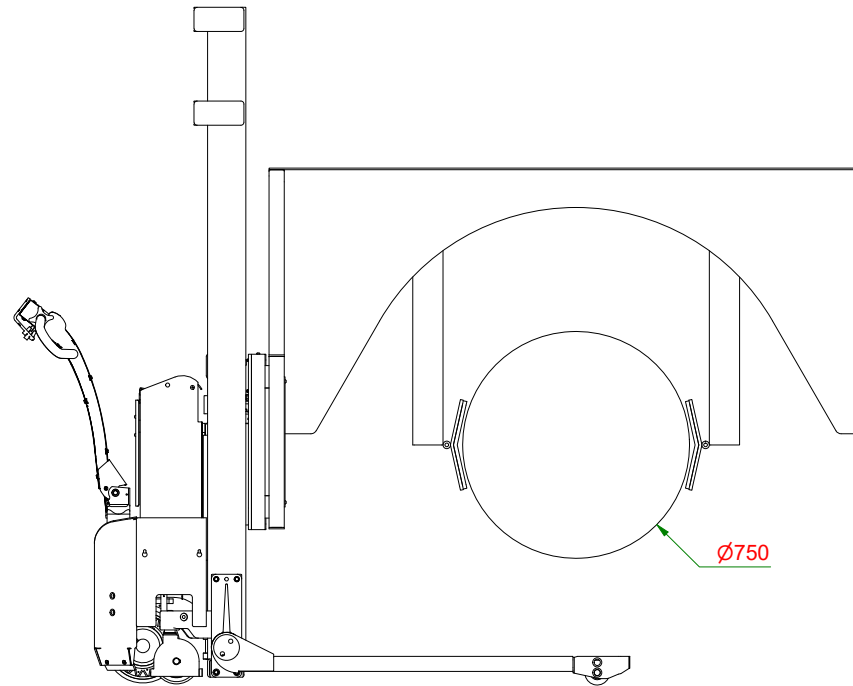



P-number		
Description		
 Logitrans <small>lifting performance</small> LOGITRANS A/S HILLERUPVEJ 35 DK-6760 RIBE DENMARK	Date	Name
	08-01-2019	baa
Client		
Phone +45 76 88 16 00 Fax +45 76 88 16 02 www.logitrans.com		



P-number		
Description		
 Logitrans lifting performance <small>LOGITRANS A/S HILLERUPVEJ 35 DK-6760 RIBE DENMARK</small>	Date	Name
	08-01-2019	baa
Client		