

## Twin Arbour Attachment

The Twin Arbour Attachments have been designed to provide a simple means of lifting and transporting reels by the reels diameter.

Constructed from Stainless Steel the attachment is suitable for hygienic and clean room applications

## Comprehensive Range

Available in a wide range of lengths and diameters as standard coupled with the companies full bespoke design service enables the right solution to be provided for most applications.

## Fully Interchangeable

Packline's full range of attachments are fully interchangeable and can be easily fixed or removed from any model of Compac fitted with the unique quick release system.

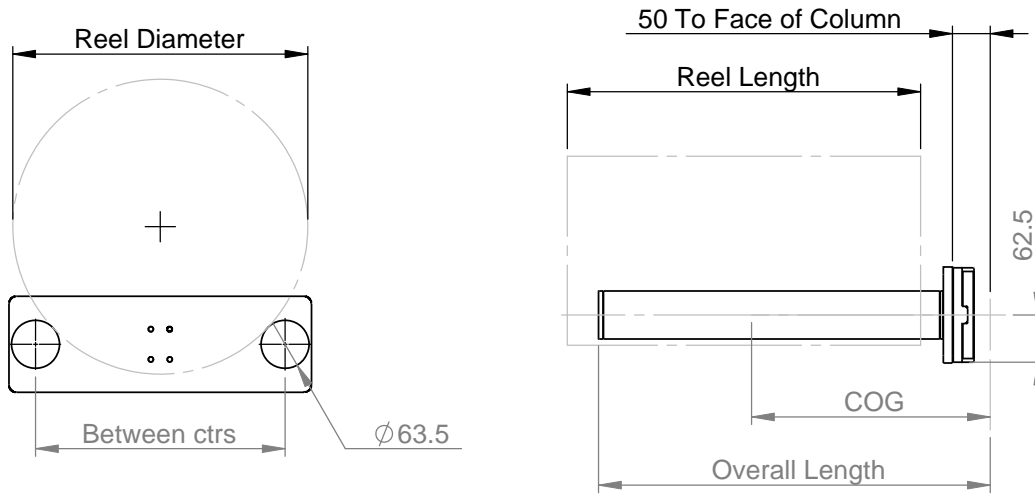
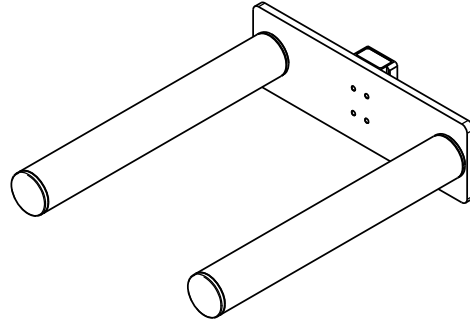
This quick release system enables one Compac to be used with multiple attachments providing an economical solution to a range of applications.

## CE Marked and Fully Tested

Every design is fully tested, CE marked, supported by a detailed technical file meeting the latest legislation and health & safety directives.



# Specification Sheet for Twin Spindle



	Description	Max. SWL	Load Centre	Max SWL on Compac Model;			Reel Diameter		Reel Length	Mass.
				C60	C150	C300	Min.	Max.	Max.	
TS2766-1	450/64/230	125kg	288mm	47kg	125kg	125kg	200mm		640mm	12.2kg
TS2767-1	500/64/230	125kg	313mm	45kg	125kg	125kg	200mm		710mm	13.5kg
TS2768-1	600/64/230	125kg	363mm	45kg	125kg	125kg	200mm		800mm	14.3kg
TS2189-1	450/64/280	125kg	288mm	47kg	125kg	125kg	250mm	290mm	640mm	14.1kg
TS2188-1	500/64/280	125kg	313mm	47kg	125kg	125kg	250mm	290mm	710mm	12.8kg
TS2192-1	600/64/280	125kg	363mm	47kg	125kg	125kg	250mm	290mm	800mm	14.9kg
TS2057-1	450/64/330	125kg	288mm	46kg	125kg	125kg	300mm	390mm	640mm	14kg
TS2060-1	500/64/330	125kg	313mm	45kg	125kg	125kg	300mm	390mm	710mm	14.8kg
TS2061-1	600/64/330	125kg	363mm	44kg	125kg	125kg	300mm	390mm	800mm	15.6kg
TS2490-1	450/64/380	125kg	288mm	45kg	125kg	125kg	340mm	500mm	640mm	14.1kg
TS2491-1	500/64/380	125kg	313mm	44kg	125kg	125kg	340mm	500mm	710mm	15.4kg
TS2492-1	600/64/380	125kg	363mm	43kg	125kg	125kg	340mm	500mm	800mm	16.2kg

Minimum and Maximum Lift Height will depend of reel diameter and therefore must be accessed for each individual application