

## Cradle Attachment

The Cradle Attachments have been designed to lift and transport reels by supporting mandrels positioned through the reels core.

Constructed from Aluminium and Stainless Steel the attachment is suitable for hygienic and clean room applications

## Comprehensive Range

Available in a wide range of configurations as standard and backed up by a full bespoke design service ensures the right solution can be provided for most applications.

## Fully Interchangeable

Packline's full range of attachments are fully interchangeable and can be easily fixed or removed from any model of Compac fitted with the unique quick release system.

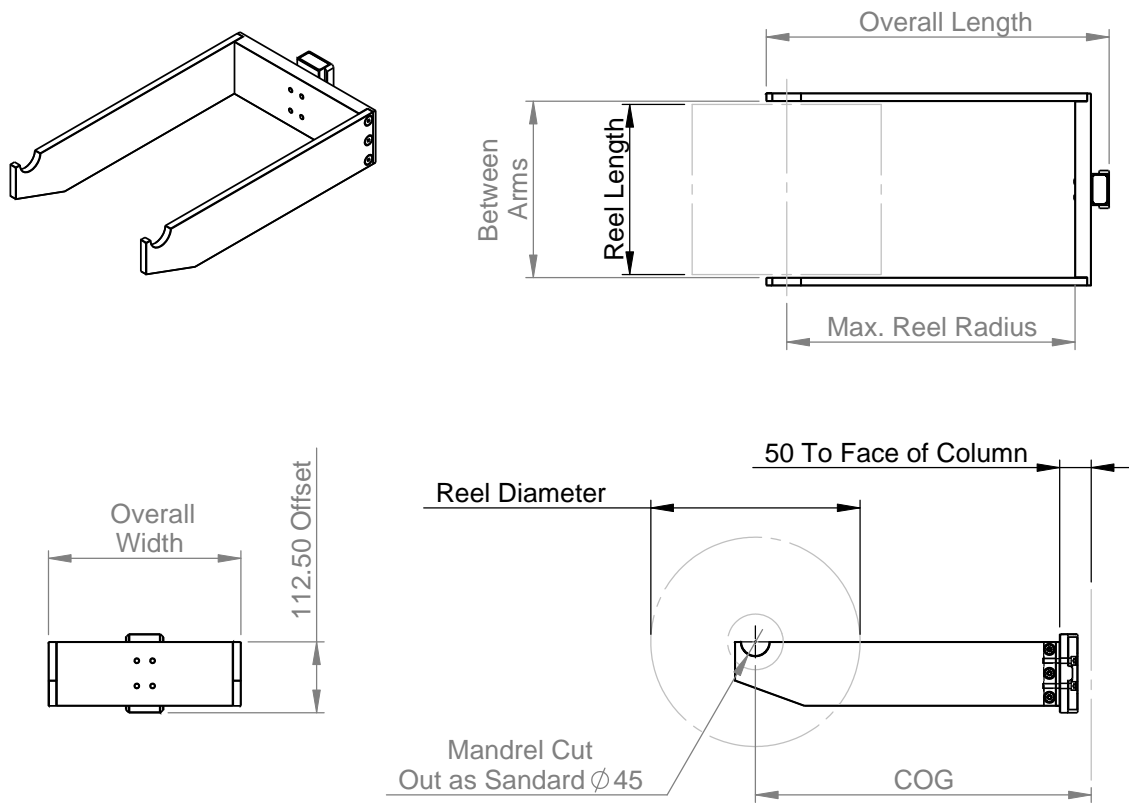
This quick release system enables one Compac to be used with multiple attachments providing an economical solution to a range of applications.

## CE Marked and Fully Tested

Every design is fully tested, CE marked, supported by a detailed technical file meeting the latest legislation and health & safety directives.



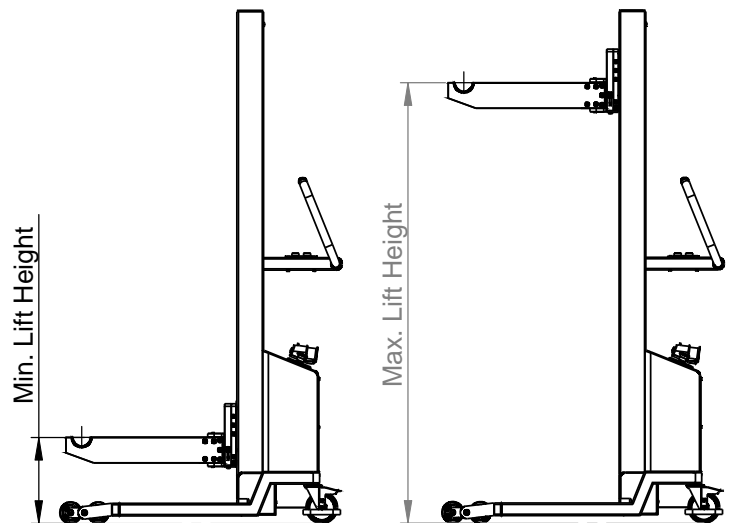
# Specification for Cradle Attachment



	Description	Max. SWL	Load Centre	Max. SWL on Compac Model;			Reel Diameter	Reel Length	Mandrel	Mass
				C60	C150	C300	Max.	Max.	Cutout	
CR2028-1	457/280/45	65kg	533mm	53kg	65kg	65kg	900mm	275mm	Ø 45mm	7kg
CR2700-1	557/280/45	55kg	633mm	51kg	55kg	55kg	1100mm	275mm	Ø 45mm	7kg
CR2376-1	457/495/45	65kg	533mm	51kg	65kg	65kg	900mm	490mm	Ø 45mm	9kg

Cradle Attachment on a standard 2000H Compac - offset = 122.5mm (LOC001)

	Min. Lift Height		Max. Lift Height	
	C60/C150	C300	C60/C150	C300
50C	283.5mm	347.5mm	1770.5mm	1753.5mm
100C	334.5mm	398.5mm	1821.5mm	1804.5mm
85P	278.5mm	342.5mm	1765.5mm	1748.5mm
85R	278.5mm	342.5mm	1765.5mm	1748.5mm



50C=50 dia swivel castors 100C=100 dia swivel castors 85P=85 dia pallet wheels 85R=85 dia Rocking Pallet Wheels