

Manual 6" Vertical Spindle Attachment

Manual Vertical Spindle

Used to lift and rotate reels of film by gripping reel's core the Vertical Spindle is available in a wide range of sizes and configurations as standard and capable of lifting loads up to 230kg depending on model

For applications outside of the standard range the company provides a full bespoke design service offering solutions for most applications

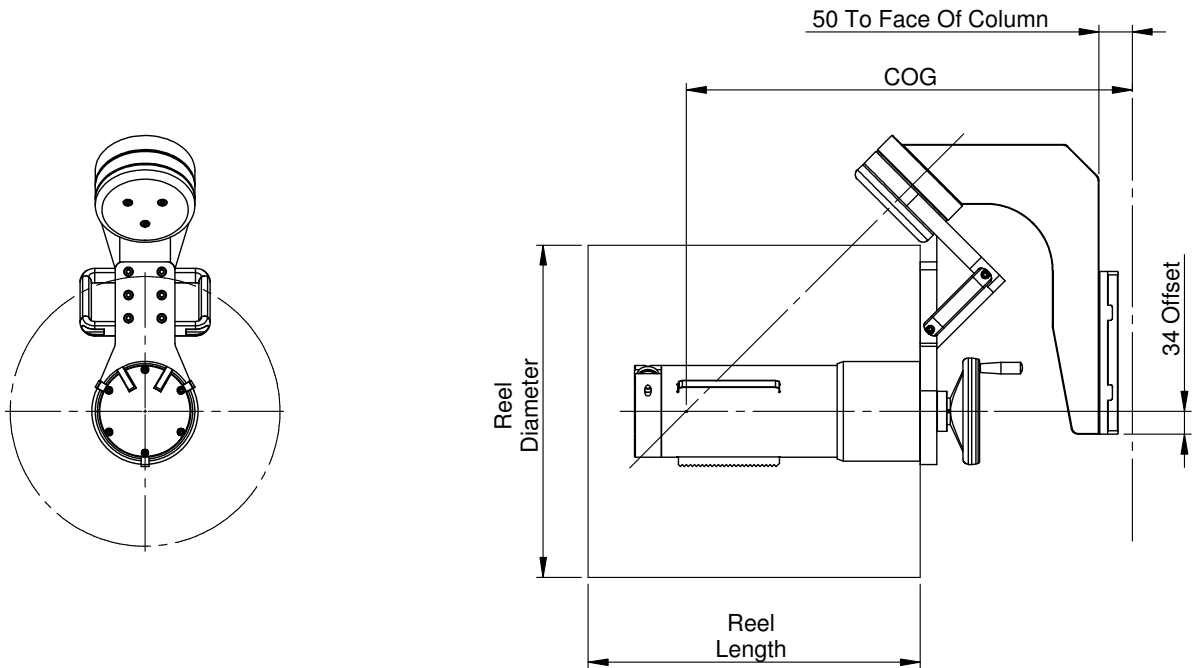
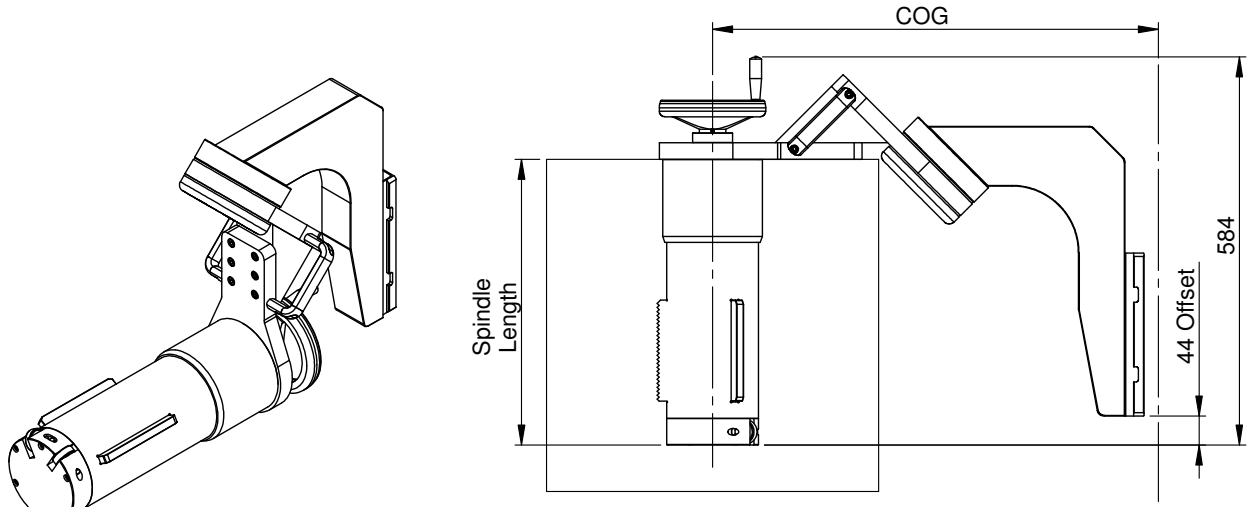
Packline's full range of attachments are fully interchangeable and can be easily fixed or removed from any model of Com-pac fitted with the unique quick release system

Overview:-

- Available as Manual Rotation
- Load capacity up to 230kg (506lbs)
- Suitable for reel core diameters of 152mm (6") as standard
- Built in Torque limiter to ensure correct gripping pressure is applied to the reel's core optional
- Constructed mainly from anodised Aluminium, Stainless Steel, Brass and Acetal making it suitable for hygienic and clean room applications
- Fitted with expanding serrated jaws to provide maximum grip and cater for core



Manual 6" Vertical Spindle Attachment



	Description	Max. SWL	Load Centre	Max. SWL On Compac Model:		
				C150	C300	Mass
VS4513-18	152/430	230kg	670mm	95kg	230kg/600L	32kg
VS2800-18	152/430/TL	230kg	671mm	95kg	230kg	32.5kg

Refer to reel selection chart for appropriate reel sizes for use with individual designs

Specification Sheet for Min/Max Lift Height of Vertical Spindle

VS5413-18 and VS2800-18
in Horizontal Position

	Min. Lift Height		Max. Lift Height	
	C60/150	C300	C60/150	C300
50C	205mm	269mm	1692mm	1675mm
100C	256mm	320mm	1743mm	1726mm
85P	200mm	264mm	1687mm	1670mm
85R	200mm	264mm	1687mm	1670mm

VS5413-18 and VS2800-18
in Vertical Position

	Min. Lift Height		Max. Lift Height	
	C60/150	C300	C60/150	C300
50C	127mm	191mm	1614mm	1597mm
100C	178mm	242mm	1665mm	1648mm
85P	122mm	186mm </td <td>1609mm</td> <td>1592mm</td>	1609mm	1592mm
85R	122mm	186mm	1609mm	1592mm

These lift heights are based on the Vertical Spindles being used with a standard 2000mm (2mtr) tall Compac lifter. Taller and shorter lifters are available in increments of +/- 100mm.

